

LOGLIFT 96S



BASIC DATA

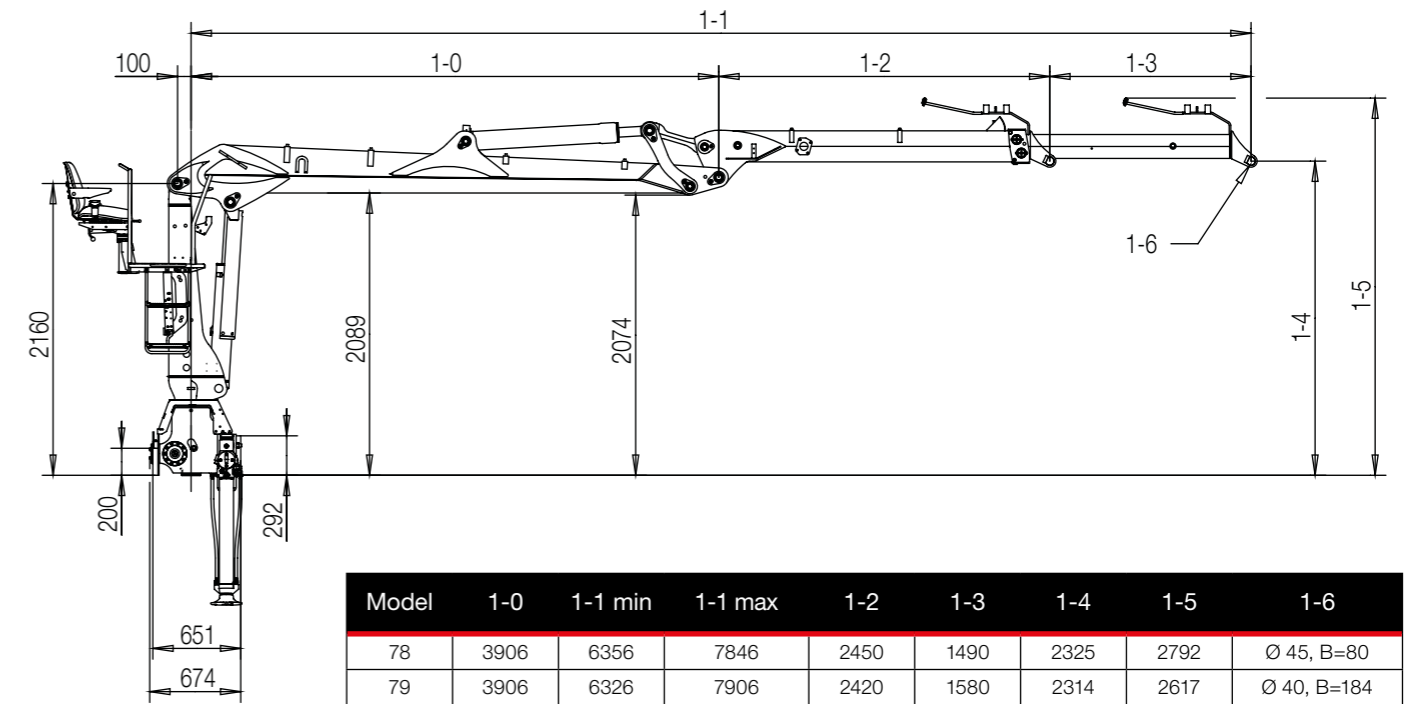
LOGLIFT 96S BASIC DATA

Technical data	F96S 78	F96S 79	F96S 97
Max. lifting capacity (kNm)	95	95	87
Hydraulic outreach (m)	7.8	7.9	9.7
Number of boom extensions	1	1	2
Outreach - lifting capacity, standard (m - kg)	4.0 - 2360	4.0 - 2360	4.0 - 2160
	6.0 - 1620	6.0 - 1620	6.0 - 1480
	7.8 - 1200	7.9 - 1160	8.0 - 1080 9.7 - 840
Slewing system	Single		
Slewing angle (°)	415		
Slewing torque, gross (kNm)	22.8		
Max. working pressure (MPa)	24		
Recommended oil flow – fixed pump (l/min), 1-pump	80		
Recommended oil flow – fixed pump (l/min), 2-pump	2x80		
Min. recommended oil flow – variable displacement pump (l/min)	160		
Weight - High seat crane with standard stabilizer (kg)*	1985	1990	2155
Weight - HiVision crane with standard stabilizer (kg)**	2115	2120	2285
Weight - Cabin crane with standard stabilizer (kg)*	2395	2400	2565

* Weight with fixed pump system, oil weight included

** Weight with variable pump system, oil weight included

Side view



Model	1-0	1-1 min	1-1 max	1-2	1-3	1-4	1-5	1-6
78	3906	6356	7846	2450	1490	2325	2792	Ø 45, B=80
79	3906	6326	7906	2420	1580	2314	2617	Ø 40, B=184
97	3906	6511	9661	2605	3150	2357	2720	Ø 40, B=184

For more information,
please visit us at www.hiab.com



BUILT TO PERFORM

Hiab is the world's leading provider of on-road load handling equipment. Customer satisfaction is the first priority for us. Hiab's product range includes HIAB loader cranes, JONSERED recycling and forestry cranes, LOGLIFT forestry cranes, MOFFETT truck mounted forklifts and MULTILIFT demountables, as well as DEL, WALTCO and ZEPRO tail lifts.

hiab.com

Hiab is part of Cargotec.

cargotec.com

Disclaimer. We reserve the right to make changes. Illustrations, drawings and data are not always in accordance with the latest version or standard model in production. The models in the pictures may present special equipment or colours.